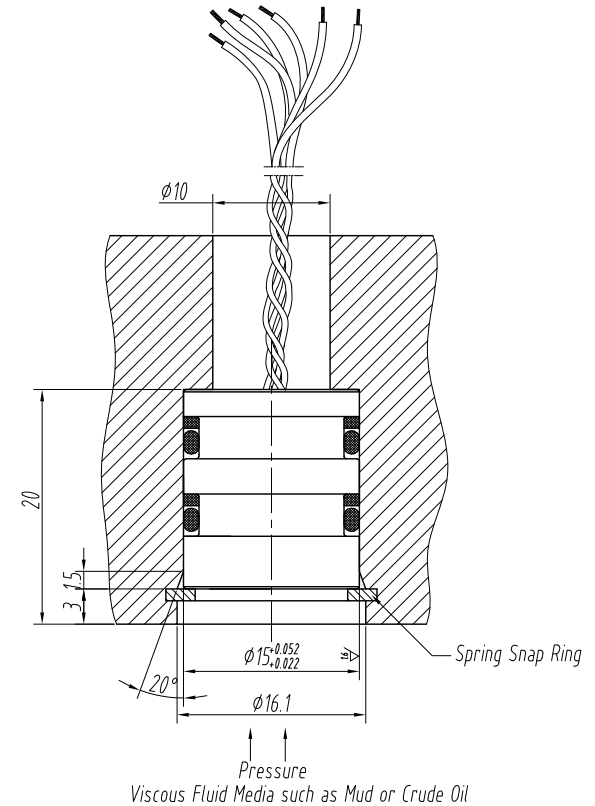


SPECIFICATION

1. Mechanical:
 - Capacity: 0-20K,25K,30K PSI, Gage pressure;
 - Proof Pressure: 150% of rated range;
 - Burst Pressure: 300% of rated range;
 - Pressure Media: Any compatible with alloy Inconel® 718 solution annealed and aged to a minimum hardness of HRC40;
 - Wetted Material: NACE-compliant Inconel® 718 Alloy;
 - Weight: 20g nominal ;
2. Electrical:
 - Excitation: 5VDC;
 - Bridge resistance: 1.5KΩ to 4KΩ;
 - Output at zero pressure: $\lt; \pm 1\text{mV}@5\text{V}$;
 - Full scale (F.S.) sensitivity: (2.6±0.4)mV/V(Customizable, up to 5.5mV/V);
 - Electrical Connections: RED = + Excitation, GREEN = + Signal, WHITE = - Signal, BLACK = - Excitation, YELLOW/BLUE = RTD Pt1000
 - Insulation resistance: All conductors together to case, $\geq 50\text{G}\Omega@50\text{V DC}$ and (25±5)°C;
3. Accuracy:
 - Non-Linearity: 0.15%FSO (Best Fit Straight Line Method) ;
 - Non-Repeatability: ±0.05%FSO;
 - Hysteresis error: 0.05%FSO;
 - Long-term stability: ±0.1% FSO per year^[Note2];
4. Environmental
 - Working temperature range: -55°C to +205°C;
 - Thermo drift of zero: ±0.015%FSO Per °C;
 - Thermo drift of sensitivity: +0.025%FSO Per °C;
 - Error due to combined effect of shock, vibration and acceleration shall be less than 0.01% of FSO per g;
 - Vibration: 10g(RMS), 10Hz to 200Hz;
 - Shock: 500g@1mS, half-sine acceleration.
5. Dynamic
 - Response time: 10% to 90%F.S.@1mS;

Note1. The dimension of the O-ring is $\text{O}12\times 1.78$;
 Shore A hardness of the O-ring: 90;
 The dimension of the back-ring is $15\times 12.2\times 0.8$,
 Material : PEEK (Shore D hardness 90);
 All sealing accessories are supplied with the product.

Note2. The long-term stability refers to the drift of the full scale output(FSO) value of the product under the same environmental conditions, otherwise specified.



UNLESS OTHERWISE SPECIFIED
 TOLERANCE UNLESS NOTED:
 X ± 0.3
 .X ± 0.2
 .XX ± 0.1
 ANGLES: ± 0.5°
 3.2 FINISH ALL SURFACES
 DEBURR
 BREAK ALL SHARP EDGES
 CONCENTRICITY OF DIAMS WITH
 COMMON C/L
 DIMENSIONS ARE IN MM UNLESS
 OTHERWISE SPECIFIED
 OTHER STANDARDS MAY APPLY

	BY	DATE	HYDRALIC Beijing HaiZhuoLiKang Technology Co., Ltd.			
DRAWN		2024/9/26	Pressure Transducer with RTD for MWD			
CHECKED						
APPROVED						
WEIGHT		35g	SIZE	DWG NO.	MATERIAL	REV.
FIRST ANGLE PROJECTION			A4	XX-XXXX	Inconel® 718	INIT. REL.
			SCALE	DO NOT SCALE	SHEET: 1 OF 1	